

**Stratum 3 Simplified Control
Timing Modules (MSTM-S3-T2NC)**

DESCRIPTION

The Connor-Winfield Stratum 3 Miniature Simplified Control Timing Module acts as a complete system clock module for general Stratum 3 timing applications. The MSTM is designed for external control functions. Full external control input allows for selections and monitoring of any of four possible operating states: 1) Holdover, 2) External Reference #1, 3) External Reference #2, and 4) Free Run. The table below illustrates the control signal inputs and corresponding operational states:

In the absence of External Control Inputs (A,B), the MSTM enters the Free Run mode and signals an External Alarm. The MSTM will enter other operating modes upon application of a proper control signal. Mode 1 operation (A=1, B=0) results in an output signal that is phase locked to the External Reference Input #1. Mode 2 operation (A=0, B=1) results in an output signal that is phase locked to External Reference Input #2. Holdover mode operation (A=1, B=1) results in an output signal at or near the frequency as determined by the latest (last) locked-signal input values and the holdover performance of the MSTM.

Alarm signals are generated at the Alarm Output during Holdover and Free Run operation. Alarm Signals are also generated by loss-of-lock, loss of Reference, and by a Tune-Limit indication from the PLL. A Tune-Limit alarm signal indicates that the OCXO tuning voltage is approaching within 10% the limits of its lock capability and that the External Reference Input may be erroneous. A high level indicates an alarm condition. Real-time indication of the operational mode is available at unique operating mode outputs on pins 1-4.

Control loop filters effectively attenuate any reference jitter and smooth out phase transients.

Fig. 1.0

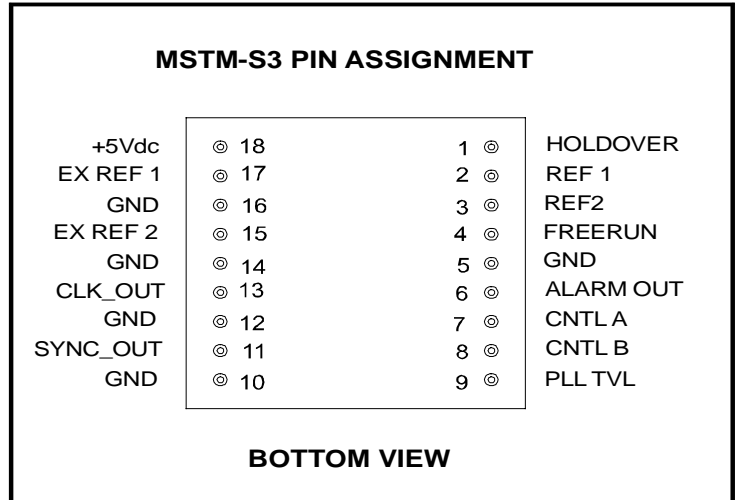


Fig. 2.0

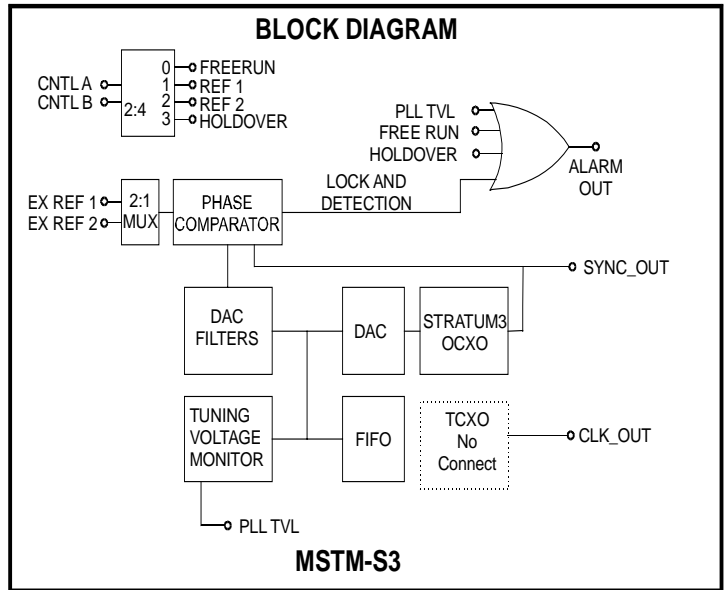


Table 1.0

CONTROL INPUT		OPERATIONAL MODE		REF 1	REF 2	HLDOVER	FREERUN	PLL TVL	ALARM OUTPUT
A	B								
0	0	Free Run (Default)		0	0	0	1	0	1
1	0	External Reference #1	Normal	1	0	0	0	0	0
			Tune Limit	1	0	0	0	1	1
			LOS+LOL	1	0	0	0	0	1
1	0	External Reference #2	Normal	0	1	0	0	0	0
			Tune Limit	0	1	0	0	1	1
			LOS+LOL	0	1	0	0	0	1
1	1	Holdover		0	0	1	0	0	1

Specifications are subject to change without notice

Fig. 3.0

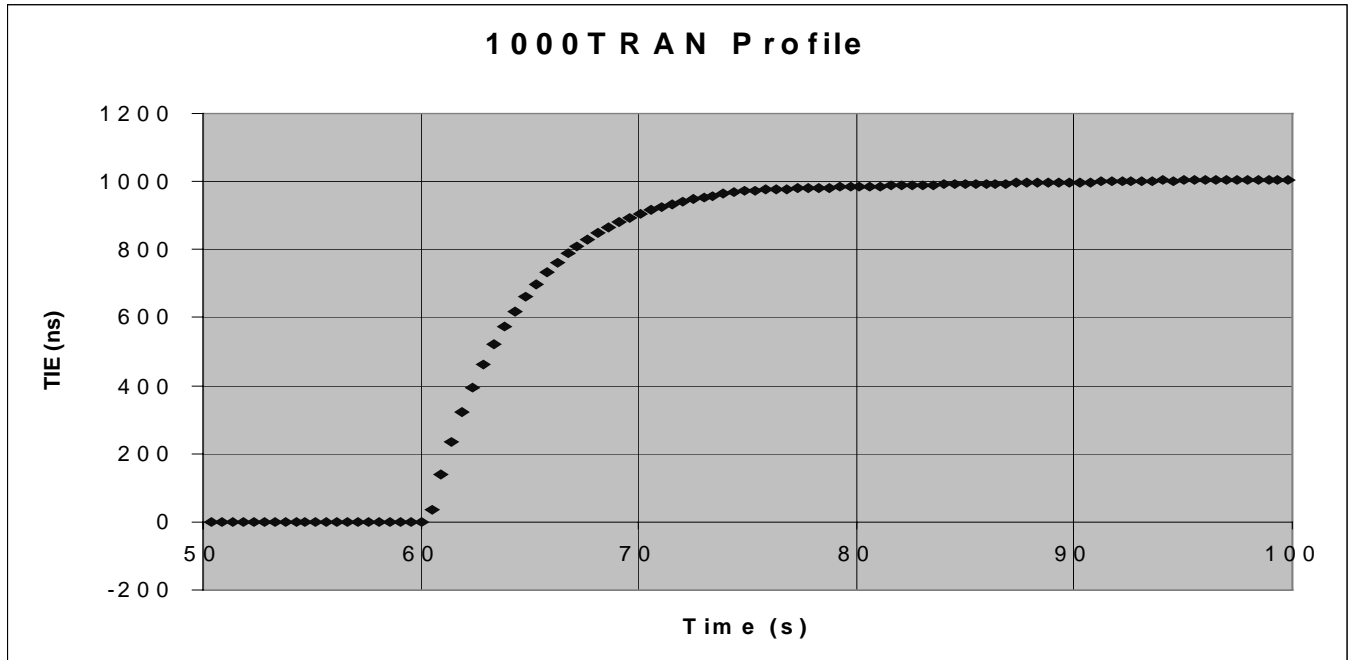


Fig 4.0

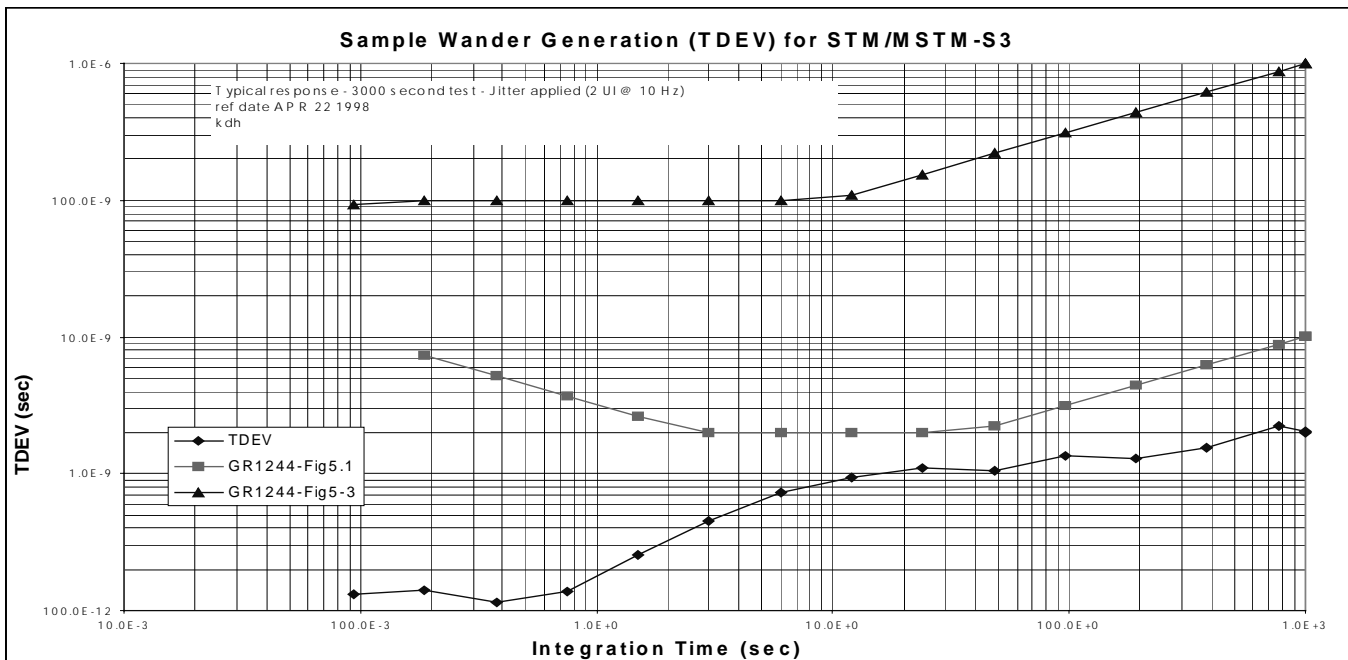


Fig. 5.0

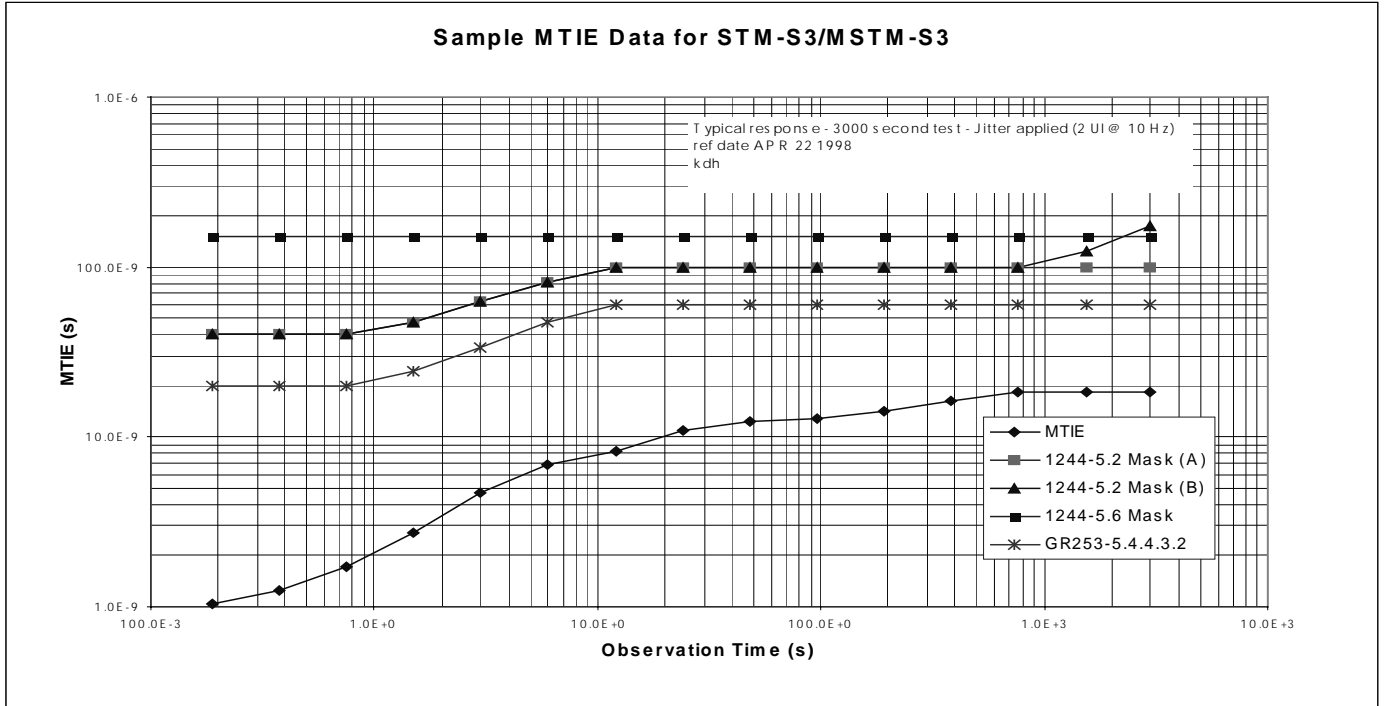
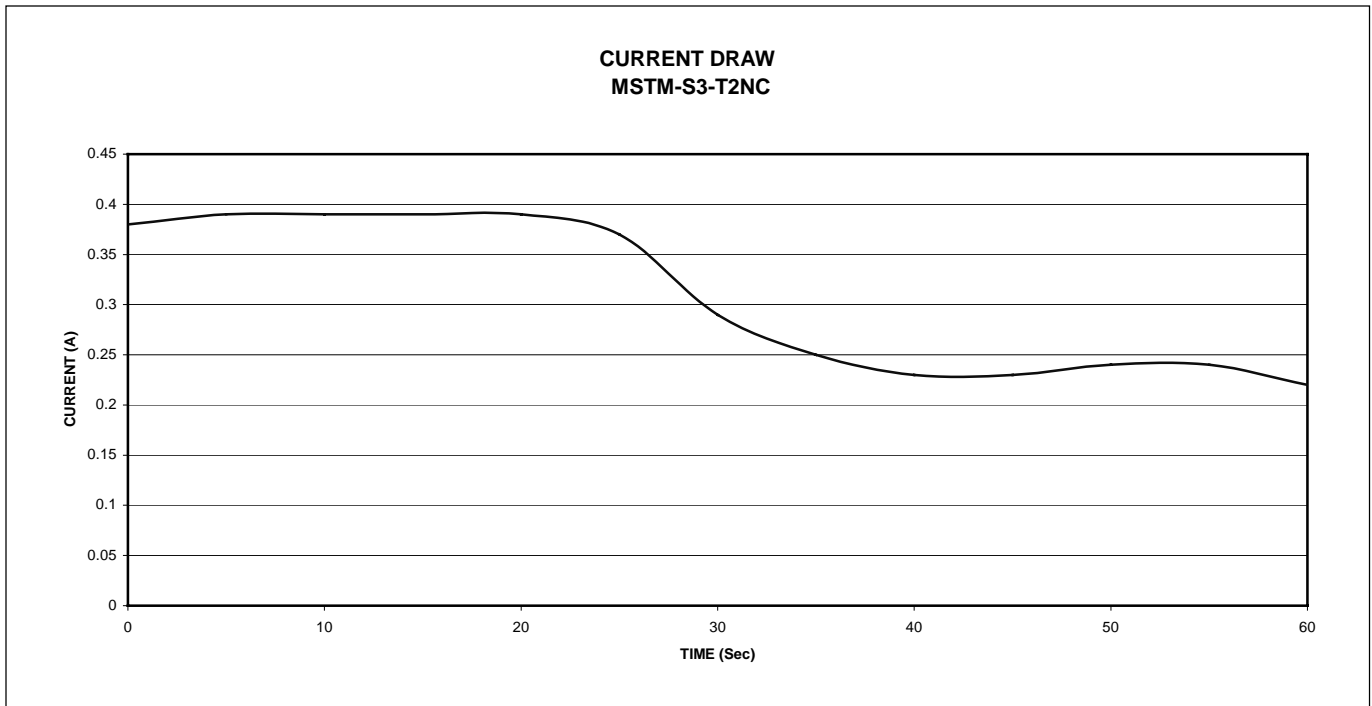


Fig. 6.0



Specifications are subject to change without notice



THE CONNOR-WINFIELD CORP.

2111 COMPREHENSIVE DRIVE,
AURORA, IL 60505.
FAX (630) 581-5040.
PHONE (630) 851-4722.

NETWORK ELEMENT TIMING GENERATOR

Stratum 3 Simplified Control
Timing Modules (MSTM-S3-T2NC)

TABLE 2.0 ABSOLUTE MAXIMUM RATING

SYMBOL	PARAMETER	MINIMUM	NOMINAL	MAXIMUM	UNITS	NOTES
V _{CC}	Power supply voltage (V _{cc} to GND)	-0.5		+7.0	Volts	1.0
V _{IN}	Input voltage with respect to ground	-0.5		V _{cc} +0.05	Volts	1.0
T _{STG}	Storage temperature	-65.0		+150.0	Deg. C	1.0

Note 1.0: Operation of this device at these or any other conditions beyond those listed under Recommended Operating Conditions is not implied. Exposure to Absolute Maximum Ratings conditions for extended periods of time may affect device reliability.

TABLE 3.0 INPUT AND OUTPUT CHARACTERISTICS

SYMBOL	PARAMETER	MINIMUM	NOMINAL	MAXIMUM	UNITS	NOTES
V _{IH}	High level input voltage (TTL Compatible)	2.0		V _{CC}	V	
V _{IL}	Low level input voltage (TTL Compatible)	0		0.8	V	
T _{IN}	Input signal transition time			250	nS	
C _{IN}	Input capacitance			15	pF	
V _{OH}	High level output voltage @ IOH=-8.0 mA, VCC minimum	2.4			V	
V _{OL}	Low level output voltage @ IOH=8.0 mA, VCC maximum			0.4	V	
T _{HL}	Clock out transition time high-to-low, no load		4.0		nS	
T _{LH}	Clock out transition time low-to-high, no load		4.0		nS	
T _{RIP}	Input 8 KHz reference signal positive pulse width	30			nS	
T _{RIN}	Input 8 KHz reference signal negative pulse width	30			nS	
T _{OP1}	Standard Operating Temperature	0		70	Deg. C	

TABLE 4.0 SPECIFICATIONS

PARAMETER	SPECIFICATIONS	NOTES
Frequency Range (SYNC_OUT)	19.44 MHz	5.0
Frequency Range (CLK_OUT)	N/C	
Supply Current	See Fig. 6.0	
Timing Reference Inputs	8 KHz	6.0
Jitter and Phase Tolerance	Ref-GR-1244-CORE 4.2-4.4	
Wander Generation	Ref-GR-1244-CORE 5.3	
Free-Run Accuracy	±4.6 ppm	
Holdover Stability	±0.37 ppm	2.0
Initial Offset	0.05 ppm	
Temperature	0.28 ppm	
Drift	0.04 ppm	
Holdover History	30 seconds	
Pull-in/ Hold-in Range	±4.6 ppm Minimum	3.0
Lock Time	<100 secs	
Correction Period	125 μS	
TVL Alarm	1=WARNING: Reference nearing operational limit	7.0

Specifications are subject to change without notice

Fig. 7.0

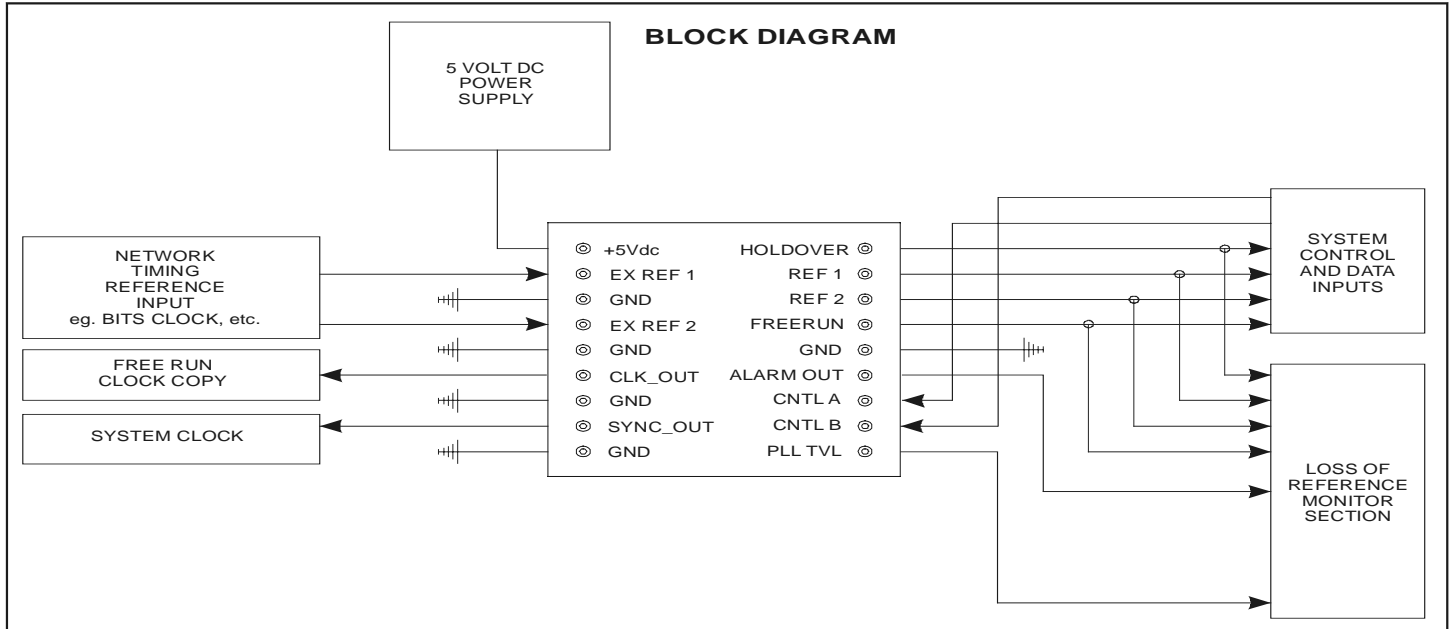
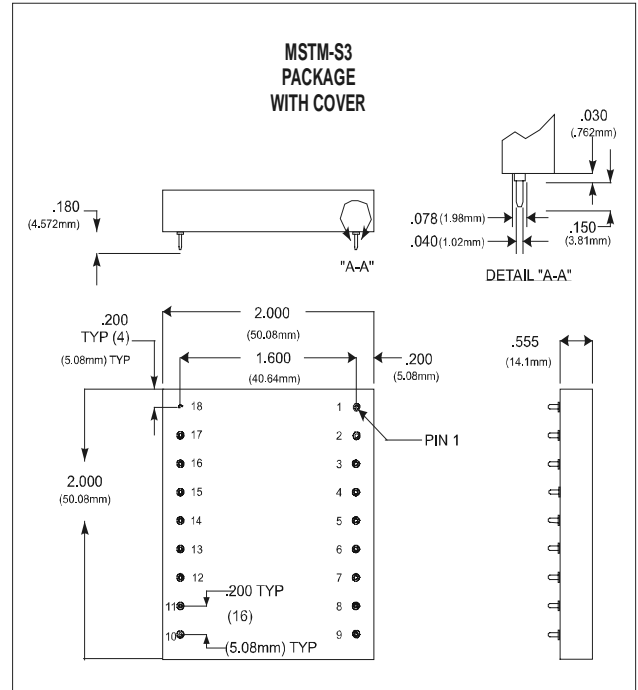


Fig 8.0



MECHANICAL CHARACTERISTICS

MECHANICAL SHOCK 883D 2002 CONDITION B

1500 G's 0.5 ms.

VIBRATION 883D-2007 CONDITION A

0.06" DA or 20 g Peak Acceleration 20 to 2000 Hz

ENVIRONMENTAL CHARACTERISTICS

TEMPERATURE CYCLE 883D METHOD 1010.7 CONDITION B

10 Cycles -55 to +125 Degrees C.

HTOB - HIGH TEMPERATURE OPERATING BIAS

1000 Hours +125 Degrees C.

Specifications are subject to change without notice

PIN DESCRIPTIONS

Table 5.0

MSTM-S3 PIN #	PIN NAME	PIN DESCRIPTION
1	HOLDOVER	Output. High when the control inputs select Holdover.
2	REF 1	Output. High when the control inputs select EX REF 1.
3	REF 2	Output. High when the control inputs select EX REF 2.
4	FREERUN	Output. High when the control input selects Free Run.
5	Gnd	Ground
6	ALARM OUT	Output. =1, if (FREERUN + HOLDOVER + LOS + LOL + PLL TVL).
7	CNTL A	Mode control input.
8	CNTL B	Mode control input.
9	PLL TVL	Tuning Voltage Alarm. =1 if CAPTURE RANGE NEAR 10% OF EXTREME.
10	Gnd	Ground
11	SYNC_OUT	Synchronized output.
12	Gnd	Ground
13	CLK_OUT	N/C
14	Gnd	Ground
15	EX REF 2	External Reference #2 Input. (8KHz)
16	Gnd	Ground
17	EX REF 1	Input. External Reference #1 Input. (8KHz)
18	+5 Vdc	+5 Volt DC Supply

NOTES FOR TABLES 1-5

NOTES:

- 2.0 Holdover stability is the cumulative fractional frequency offset containing Initial Offset, Temperature, and Drift components as described by Bellcore GR-1244-CORE 5.2
- 3.0 Pull-in range is the minimum frequency deviation on the reference inputs to the timing module that can be overcome to pull itself into synchronization with the reference.
- 4.0 After 100 seconds at stable room temperature.
- 5.0 Consult factory for other frequencies.
- 6.0 REF-GR1244-CORE 3.2.1 R3-1.
- 7.0 At '1' level indicates unit is within the extreme 10% of its operating range tracking the reference.



THE CONNOR-WINFIELD CORP.

2111 COMPREHENSIVE DRIVE.
AURORA, IL 60505.
FAX (630) 581-5040.
PHONE (630) 851-4722.

NETWORK ELEMENT TIMING GENERATOR

**Stratum 3 Simplified Control
Timing Modules (MSTM-S3-T2NC)**

DATA SHEET REVISION HISTORY

REVISION	REVISION DATE	NOTE
P00	7/18/00	Preliminary Realease

Specifications are subject to change without notice