



CRYSTAL CONTROLLED OSCILLATORS

AURORA, IL 60505
PHONE (630) 851-4722
FAX (630) 851-5040
www.conwin.com

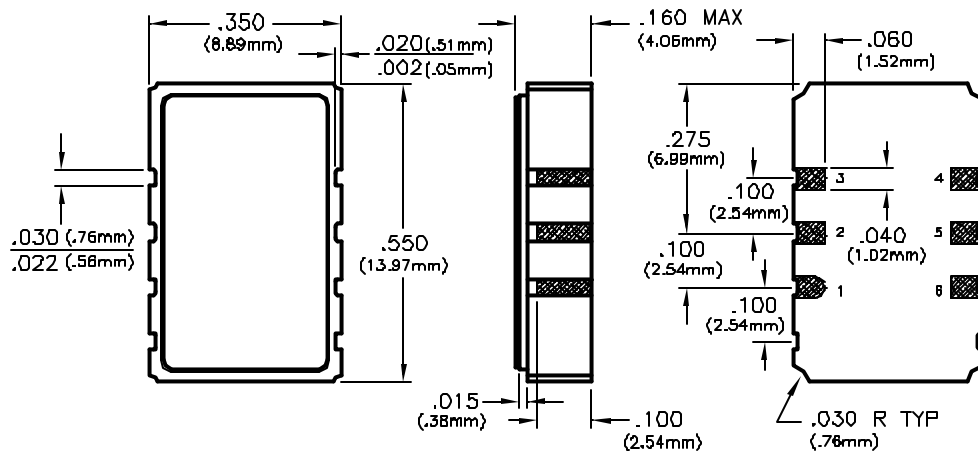
6 PIN SURFACE MOUNT VCXO

SPECIFICATIONS	VSM51**#	VSM52**#	VSM54**#
Center Frequency Range (Fo)	1MHz to 100MHz		
Frequency Stability (Vcontrol=2.50Vdc)	±25ppm	±50ppm	±20ppm
Aging (10 yrs)	±10ppm		
Temperature Range	0°C to +70°C		
Waveform	CMOS Squarewave , TTL Compatible		
Load	25pF Maximum		
Voltage Voh	4.5V Minimum		
Vol	0.5V Maximum		
Current Ioh	-16mA		
Iol	16mA		
Duty Cycle	40/60 Maximum Measured @2.5Vdc		
Rise/Fall Time	5nS Maximum		
Jitter (BW=10Hz to 20MHz)	5pS RMS Maximum		
Jitter (BW=12KHz to 20MHz)	1pS RMS Maximum		
SSB Phase Noise (Typical)	-95dBc/Hz @ 100Hz , -135dBc/Hz @ 10KHz		
Frequency Control			
Control Voltage Range	0.5 to 4.5Vdc		
Pullability Options (measured @ 25°C, referenced to Fo) (**- Add to model number)	12	±50ppm Minimum	
	15	±75ppm Minimum	
	22	±100ppm Minimum Only available to 80MHz	
Control Voltage for Fo	2.5Vdc ±0.5Vdc		
Slope	Positive		
Monotonic Linearity	< ±10%		
Input Impedance	50K Ohm		
Modulation Bandwidth	3dB cutoff frequency at 10KHz Typical		
Input Output E/D Time	100nS Maximum		
Enable Vih	2.0V Minimum - Output Active		
(Tri-State Enable/Disable Function) Disable Vil	0.8V Maximum - Output High Impedance		
No connection	Output is enabled with no connection on pin 2		
Supply Voltage (Vcc)	+5Vdc ±5%		
Supply Current	60mA Maximum		
Package	Hermetically sealed, ceramic package (For detailed package demensioning, see corresponding datasheet number below in package lead options)		
Package Lead Options	1	No Leads (See bulletin MS006)	
(#- Add to model number)	2	"J" Leads Gold Finish (See bulletin MS008)	
	3	"J" Leads Gold Finish (See bulletin MS008)	

BULLETIN #: VX226
PAGE 1 OF 2

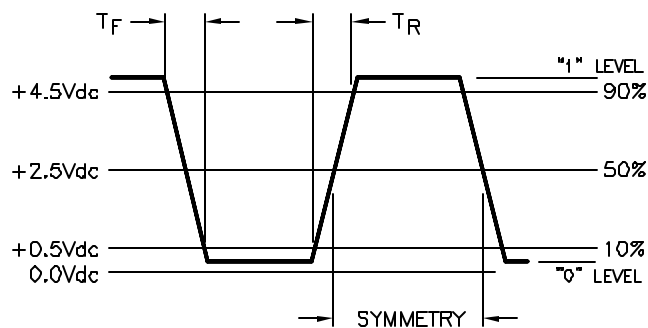
REV: 07
DATE: 9/9/03

Specifications subject to change without notice. C-11 © 1999
ISSUED BY: _____
Dimensional Tolerance: ±.02"
±.005"

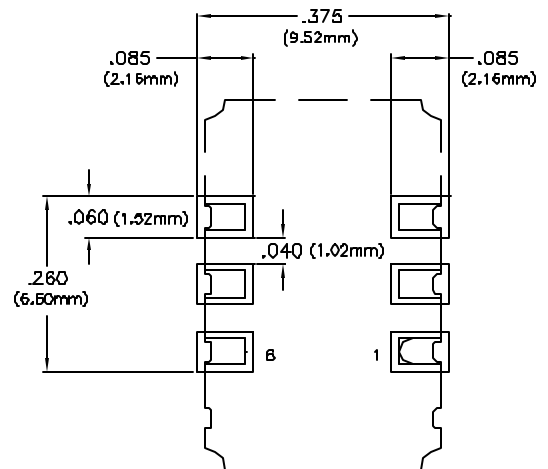


PIN	CONNECTION
1	CONTROL VOLTAGE
2	TRI-STATE
3	GROUND
4	OUTPUT
5	N/C
6	Vcc

OUTPUT WAVEFORM



SUGGESTED PAD LAYOUT



TEST CIRCUIT

